

# PARTITION ASSEMBLY INSTRUCTIONS

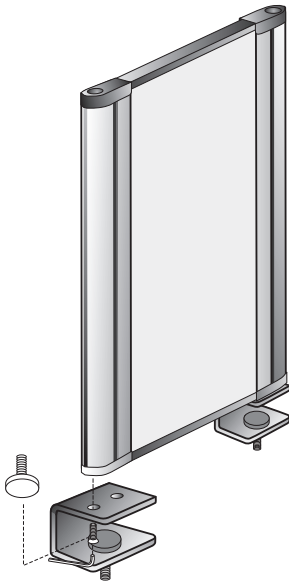
**PARTS LIST:** Items supplied - with 1160mm, 1460mm, 1760mm

1. Polycarbonate Partition
2. Desk Clamp Set - Allen Key (x1), Desk Protectors (x2), Allen Screws (x2), Clamp with Allen Screws

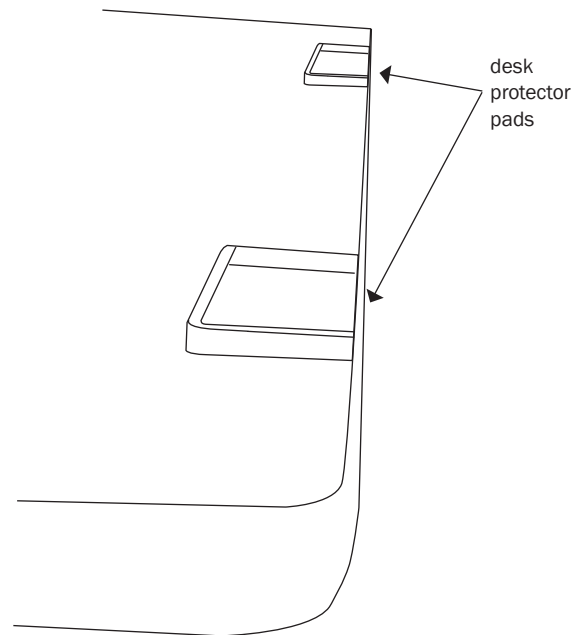
## ATTACHING A SINGLE PANEL PARTITION

### Steps:

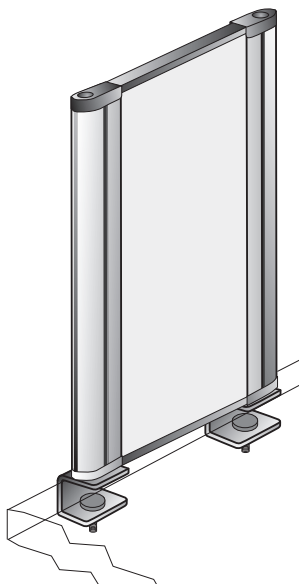
1. Attach desk clamps to the bottom end of the partition using the allen key provided in the clamp set and tighten accordingly.



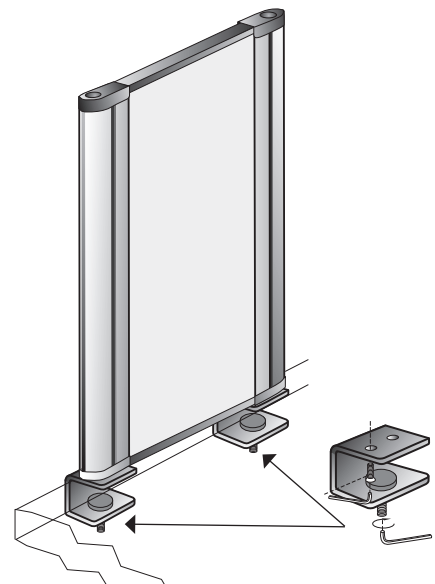
2. Place the desk protector pads on the edge of the desk where the top of the clamp will sit.



3. Place partition on the edge of the desk. Ensure clamps are sitting on the desk protectors.



4. Tighten clamps with allen key at both ends of the partition.



# PARTITION ASSEMBLY INSTRUCTIONS

## **PARTS LIST: Items supplied - with 560mm Corner Partition**

1. Polycarbonate Partition
2. Desk Clamp Set - Allen Key (x1), Desk Protectors (x2), Allen Screws (x2), Clamp with Allen Screws
3. Corner Post Set (Including x2 Figure 8 attachments)

## **ADDING CORNER PARTITIONS**

### **Steps:**

1. Assemble the corner partition the same as a single partition (see - single partition assembly instruction).
2. Position corner partition close to main partition. (Note - Do not fully tighten clamps as further positioning may be required).
3. Take off the plastic covers from the top of the corner post.
4. Remove figure 8 corner attachments.
5. Position corner post alongside corner partition and slide corner attachment down attaching the post to the corner partition.
6. Adjust positions of corner partitions to line up the corner post with main partition.
7. Slide corner attachment down attaching corner post with main partition.
8. Put all plastic covers back onto partitions.
9. Tighten corner partition clamps.

