

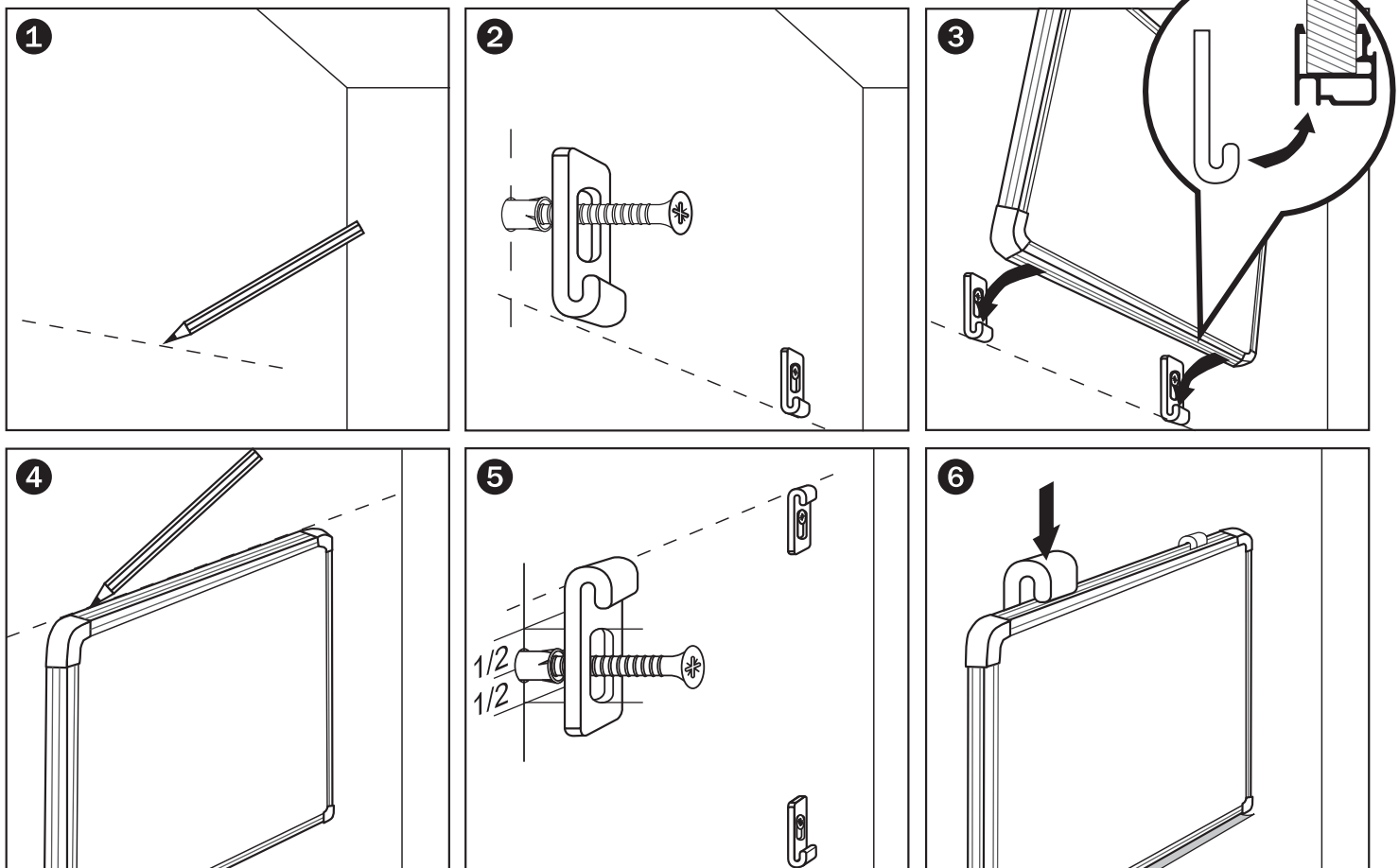
Wall Mounted Noticeboard

INSTALLATION INSTRUCTIONS

(For noticeboards up to 1200 x 1500mm in size)

Equipment Supplied:	Equipment Required:
4 x Brackets	Electric Drill
4 x Screws	Tape measure
4 x Wall Plugs	Pencil

AFFIXING YOUR NOTICEBOARD



info@boydvisuals.co.nz

AUCKLAND
Ph: 09 271 2020

CHRISTCHURCH
Ph: 03 365 0011

www.boydvisuals.co.nz