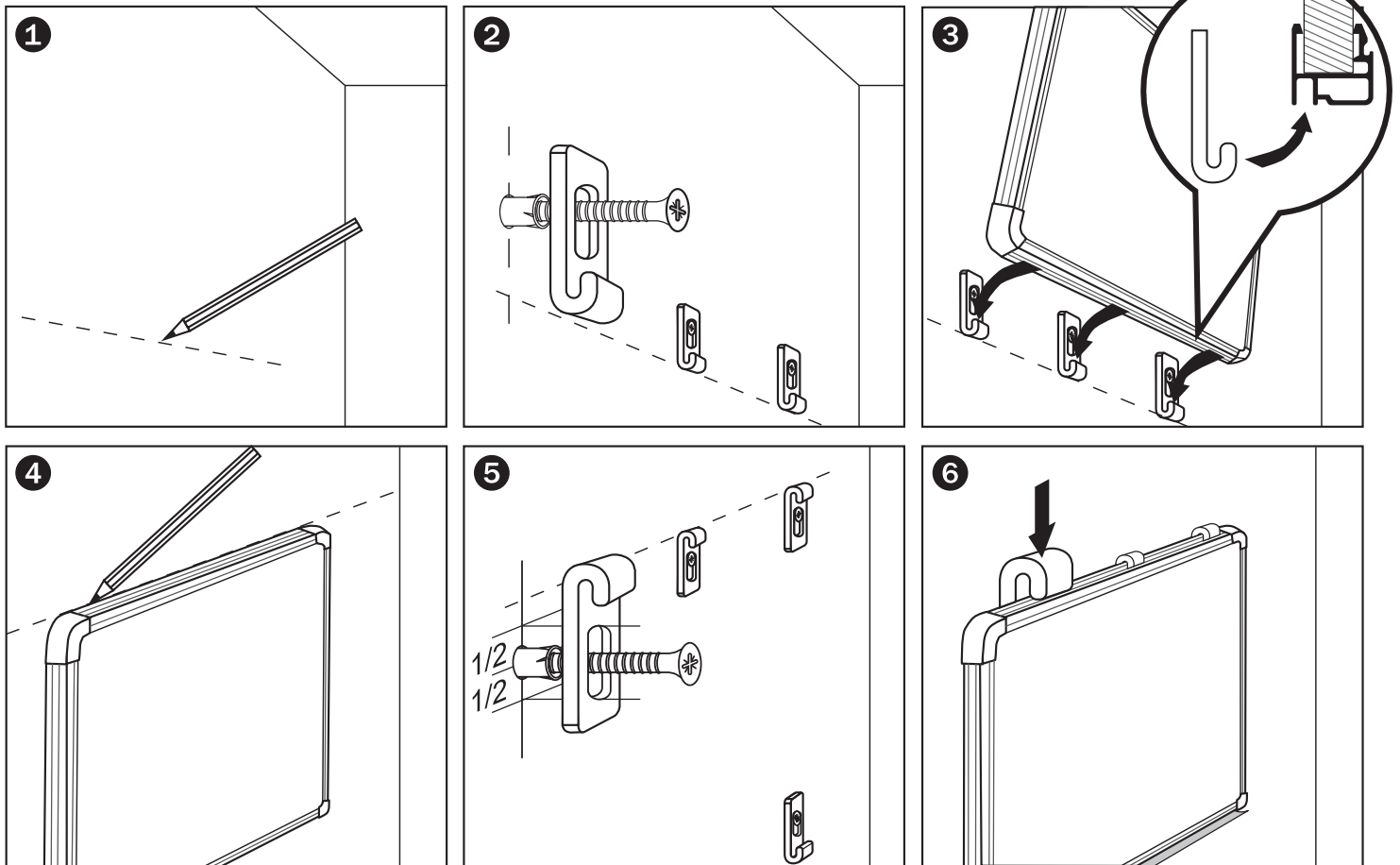


# Wall Mounted Whiteboard INSTALLATION INSTRUCTIONS

(For whiteboards larger than 1200 x 1500mm in size)

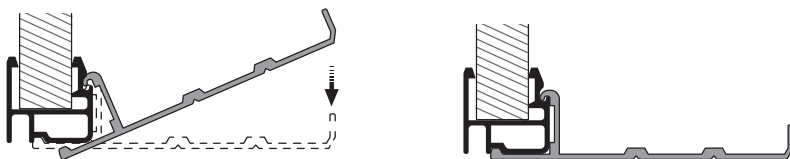
<b>Equipment Supplied:</b>	<b>Equipment Required:</b>
6 x Brackets	Electric Drill
6 x Screws	Tape measure
6 x Wall Plugs	Pencil
1 x Pen Shelf	

## AFFIXING YOUR WHITEBOARD



## Pen shelf instructions

Once the whiteboard is affixed to the wall, attach the pen shelf as shown below.



info@boydvisuals.co.nz

AUCKLAND  
Ph: 09 271 2020

CHRISTCHURCH  
Ph: 03 365 0011

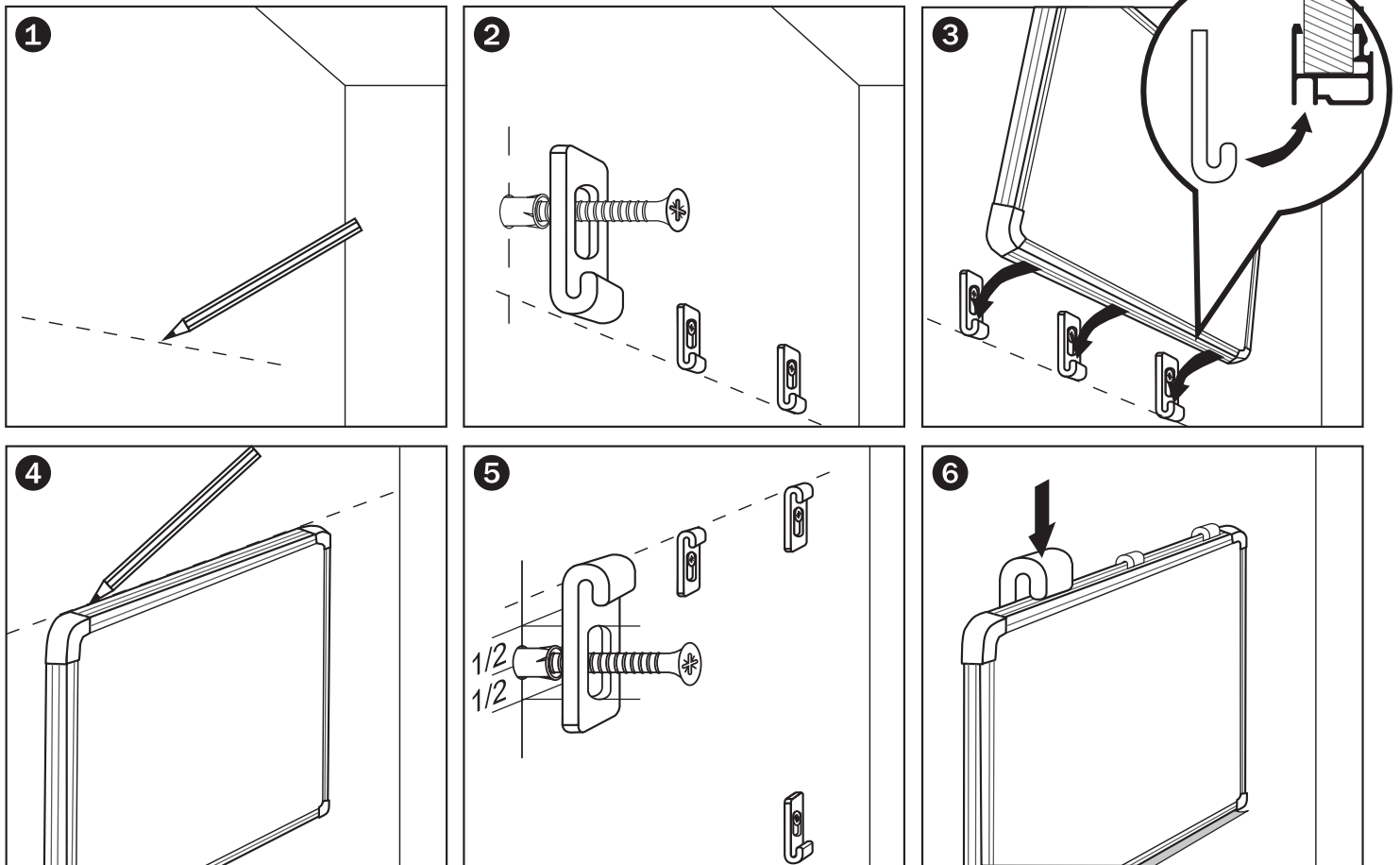
www.boydvisuals.co.nz

# Wall Mounted Whiteboard INSTALLATION INSTRUCTIONS

(For whiteboards larger than 1200 x 1500mm in size)

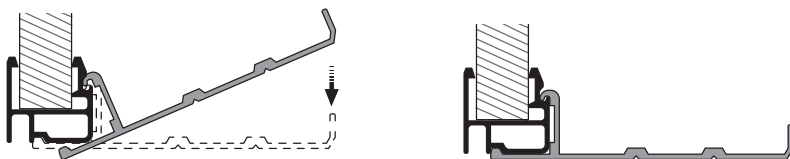
<b>Equipment Supplied:</b>	<b>Equipment Required:</b>
6 x Brackets	Electric Drill
6 x Screws	Tape measure
6 x Wall Plugs	Pencil
1 x Pen Shelf	

## AFFIXING YOUR WHITEBOARD



## Pen shelf instructions

Once the whiteboard is affixed to the wall, attach the pen shelf as shown below.



info@boydvisuals.co.nz

AUCKLAND  
Ph: 09 271 2020

CHRISTCHURCH  
Ph: 03 365 0011

www.boydvisuals.co.nz